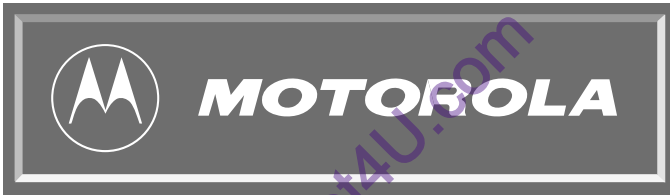
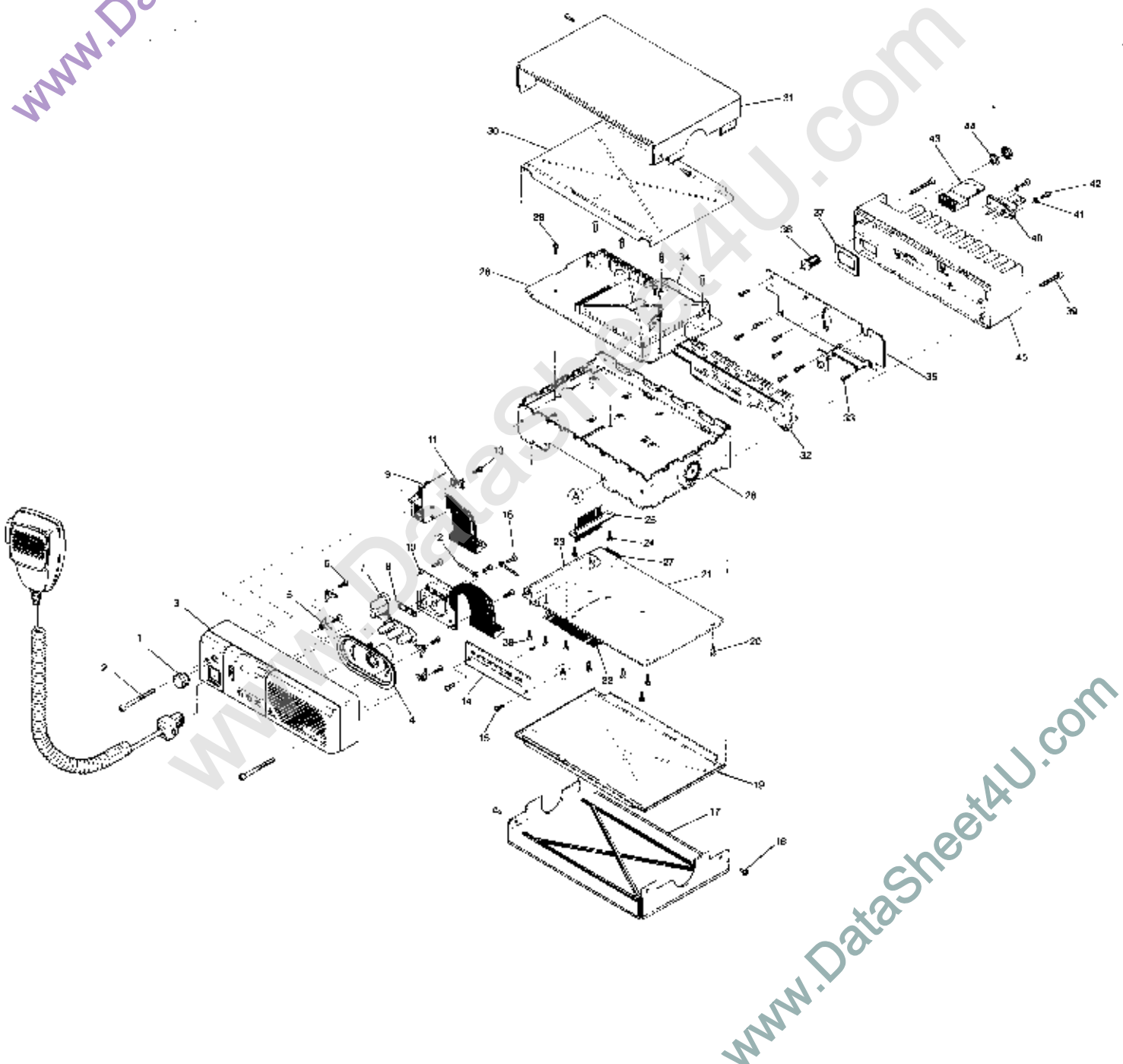


GM300 Series

Parts List



www.DataSheet4U.com



www.DataSheet4U.com

**MOTOROLA**

GM300 Series

Parts List

REF. NO.	PART NO.	DESCRIPTION
1	3680106M03	Knob, control
2	0380270L01	Screw (M4.0 x 0.7 x 38) cap blk; 2 used
3	1580516B01	Housing, front-panel, 8/16 freq.
4	5080085D03	Speaker
5	4280253L01	Bracket, speaker; 4 used
6	0310945A11	Screw (M3.0 x 8.0) plastite; 2 used
7	7580517B01	Keypad, elastomeric, 8/16 freq.
8	3280039M01	Gasket, LED
9	HLN8071B	Vol/Mic, cable assembly
10	HLN8075A	Display PCB assembly, 8/16 freq.
11	0780037M01	Bracket, PCB retainer
12	2900129883	Lug
13	0310945A11	Screw (M3.0 x 8.0) plastite
14	0180704Y83	Front Panel Filter PCB
15	0301943M09	Screw (M3.0 x 6.0); 2 used
16	0310945A11	Screw (M3.0 x 8.0) plastite; 4 used
17	1580127L01	Cover, housing
18	0310943R55	Screw (M3.0 x 8.0); 4 used
19	2680498B01	Shield, chassis
20	0310943M09	Screw (M3.0 x 6.0); 6 used
21	---	Logic Board
22	2880600B01	Connector, 27 pin, J8 & J9
23	2680497B01	Heatsink, logic board

REF. NO.	PART NO.	DESCRIPTION
24	0310943M09	Screw (M3.0 x 6.0); 2 used
25	0180605B01	Feedthrough Assembly, RF/logic
26	2780496B01	Chassis
27	2880923V01	Connector, 16 pin
28	---	Rf Bd.
29	0310943M09	Screw (M3.0 x 6.0); 7 used
30	2680498B01	Shield, chassis
31	1580127L01	Cover, housing
32	2680223M07	Shield, PA
33	0310943M10	Screw (M3.0 x 8.0); 8 used
34	2680229L03	Shield, VCO
35	---	
36	0980131M01	Antenna Connector, mini UHF
37	3280014N03	Gasket, accessory connector
38	0310943M10	Screw (M3.0 x 8.0); 2 used
39	0380271L01	Screw (M4.0 x 27); 2 used
40	0980255E01	Power Connector
41	0405587G01	Washer, power connector
42	0380043L01	Screw (M3.0 x 10); 2 used
43	0180701Y58	Connector Assembly
44	0480943V01	Lockwasher, antenna connector
45	2680124L03	Heatsink, PA



MOTOROLA

GM300 Series

Mobile Accessories

ACCESSORIES

The following accessories are available for 8- and 16-channel model radios.



HLN3333B

HLN3333B Repeater Interface Communications Kit; includes interface box, mounting bracket and two 16 conductor cables

HKN9969AR Accessory for Repeater Interface Communications Kit, 16 additional conductor cables, 3' long for connection to other accessories

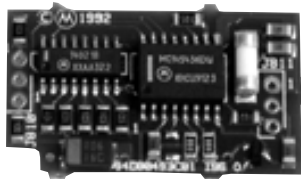
HKN9327A Ignition Switch Cable

HSN8145A 7.5W External Speaker, for receiver audio

HLN9457A Hardware Kit for use with the Expanded Accessory Connector, includes 16 connector pins, nine 8" wires with pins attached, and an extra housing



HSN8145A



HLN8375A

HLN9573A Shorting Plug for Microphone Jack, used when application calls for a deskset, covers microphone jack

HLN8375A DTMF Decoder Board, for 16-channel models only

HLN9328B External Alarm Relay and Cable, for 16-channel models only

HLN9329A Emergency Push Button Alarm and Cable, for 16-channel models only



HLN9329A

HLN9330A Emergency Footswitch Alarm and Cable, for 16-channel models only

MICROPHONES



HMN1037B

HMN1037B Touch-Code Microphone with Hang-Up Clip

HMN3596A Compact Palm Microphone with 7' Cord, Standard Microphone

HLN9559A 7' Coil Cord for Heavy Duty Microphones

HLN9560A 10.5' Extended Coil Cord for Heavy Duty Microphones

HLN9073B Microphone Hang-Up Clip, all microphones

HMN1035C Heavy Duty Palm Microphone with 10.5' Cord

HMN3141B Handset with Hang-up Cup



HMN3596A

INSTALLATION ACCESSORIES



HLN9284A

HLN9284A Key Lock Mount

HLN5189A Non-Locking Bracket

HLN9027A In-Dash Bezel Mounting Kit

HLN5226B Extra Stability Mount

HLN9404A Sleeve Mounting Bracket, for use with HLN9450A

HLN9100B Three Point Mounting Bracket, for use with HLN9450A

HLN9450A 40-60 Degree Floor Mount Wedge, requires HLN9404A or HLN9100B



HLN9450A



MOTOROLA

GM300 Series

Mobile Accessories

INSTALLATION ACCESSORIES

HKN4137A Low Power Cable to Battery, 1-10W and 10-25W models

HKN4191B High Power Cable to Battery, 25-45W models

2880376E84 Mini-U Connector, all bands

HKN9557A PL259/Mini-U Antenna Adapter, 8" Cable

HLN8027A Mini-UHF to BNC Connector



HKN9557A



HLN8097A

HLN8097A Removable Slide Mount Tray Package, a maximum of two external accessory wires can be attached to the slide tray

HLN8098A Radio Slide Mount Tray, radio half of the slide tray package HLN8097A

HLN8099A Vehicle Slide Mount Tray, vehicle half of the slide tray package HLN8097A

HLN8413A Slide Mount Tray Bracket for Vehicle Floor Hump Mount

HLN3007B Remote Mount Kit, 18' Length includes 20' power cable

HLN8144B Remote Mount Kit, 8' Length, assumes use of power cable provided with radio

PUBLIC ADDRESS ACCESSORIES



HLN3145BR

HLN3145BR Public Address Kit, requires the HSN1000B accessory; includes 2 cables for mobile connection from public address box to speaker cables



HSN1000B

HSN1000B 6-Watt Amplified External Speaker for Public Address, minimum of 1 required

HKN9324AR 15' Public Address/Speaker Cable, one required for each HSN1000B



HKN9324AR



MOTOROLA

GM300 Series

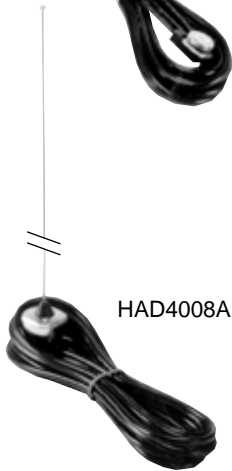
Antennas

ANTENNAS, VHF



HAD4006A

Part Number: **HAD4006A**
 Frequency: 136-144 MHz
 Power: 150W
 Gain: Unity
 VSWR: 1.5:1
 Impedance: 50 ohms, nominal
 Mounting Kit: Roof Mount with Cable and Mini-U Connector



HAD4008A

Part Number: **HAD4007A**
 Frequency: 144-152 MHz
 Power: 150W
 Gain: Unity
 VSWR: 1.5:1
 Impedance: 50 ohms, nominal
 Mounting Kit: Roof Mount with Mini-U Connector



RAD4010ARA

Part Number: **HAD4008A**
 Frequency: 152-162 MHz
 Power: 150W
 Gain: Unity
 VSWR: 1.5:1
 Impedance: 50 ohms, nominal
 Mounting Kit: Roof Mount with Mini-U Connector

Part Number: **HAD4009A**
 Frequency: 162-174 MHz
 Power: 150W
 Gain: Unity
 VSWR: 1.5:1
 Impedance: 50 ohms, nominal
 Mounting Kit: Roof Mount with Mini-U Connector

Part Number: **RAD4010ARB**
 Frequency: 136-174 MHz
 Power: 150W
 Gain: 3 dB
 VSWR: <1.5:1
 Impedance: 50 ohms, nominal
 Mounting Kit: Roof Mount with Mini-U Connector, RG58A/U, 17' Cable

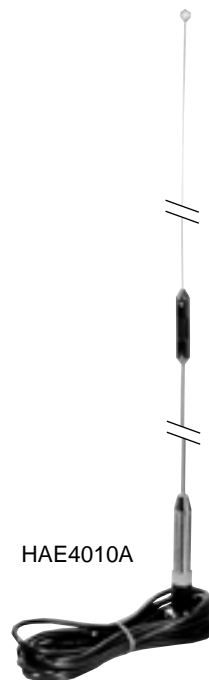
ANTENNAS, UHF



HAE4002A

Part Number: **HAE4002A**
 Frequency: 403-430 MHz
 Power: 150W
 Gain: 1/4 Wave
 VSWR: <1.5:1
 Impedance: 50 ohms, nominal
 Mounting Kit: Roof Mount with Mini-U Connector, RG58A/U, 17' Cable

Part Number: **HAE4010A**
 Frequency: 406-420 MHz
 Power: 150W
 Gain: 3.5 dB
 VSWR: <2.1
 Impedance: 50 ohms, nominal
 Mounting Kit: Roof Mount with Mini-U Connector, RG58A/U, 17' Cable



HAE4003A

Part Number: **HAE4003A**
 Frequency: 450-470 MHz
 Power: 150W
 Gain: Unity
 VSWR: <1.5:1
 Impedance: 50 ohms, nominal
 Mounting Kit: Roof Mount with Mini-U Connector, RG58A/U, 17' Cable



MOTOROLA

GM300 Series

Antennas

ANTENNAS, UHF

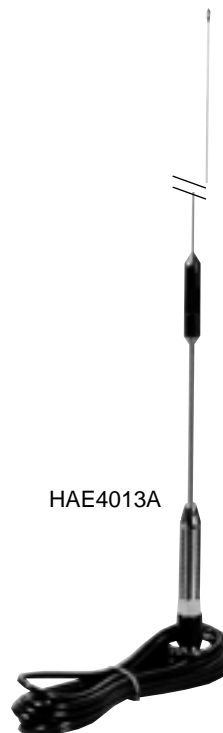


Part Number: **HAE4011A**
Frequency: 450-470 MHz
Power: 150W
Gain: 3.5 dB
VSWR: <2.1
Impedance: 50 ohms,
nominal
Mounting Kit: Roof Mount with
Mini-U
Connector,
RG58A/U, 17'
Cable

Part Number: **RAE4004ARB**
Frequency: 445-470 MHz
Power: 150W
Gain: 5 dB
VSWR: <1.5:1
Impedance: 50 ohms,
nominal
Mounting Kit: Roof Mount with
Mini-U
Connector,
RG58A/U, 17'
Cable

Part Number: **HAE4004A**
Frequency: 470-512 MHz
Power: 150W
Gain: Unity
VSWR: <1.5:1
Impedance: 50 ohms,
nominal
Mounting Kit: Roof Mount with
Mini-U
Connector,
RG58A/U, 17'
Cable

ANTENNAS, UHF



Part Number: **HAE4012A**
Frequency: 470-494 MHz
Power: 150W
Gain: 3.5 dB
VSWR: <2.1
Impedance: 50 ohms,
nominal
Mounting Kit: Roof Mount with
Mini-U
Connector,
RG58A/U

Part Number: **HAE4013A**
Frequency: 494-512 MHz
Power: 150W
Gain: 3.5 dB
VSWR: <2.1
Impedance: 50 ohms,
nominal
Mounting Kit: Roof Mount with
Mini-U
Connector



MOTOROLA

GM300 Series

Service Aids

SERVICE AIDS

Computer Interface Cable

Used to connect computer's serial port to Radio Interface Box.

3080369B71 Computer Interface Cable; RIB to 25 pin D

3080369B72 Computer Interface Cable; RIB to 9 pin D

Radio Interface Box

Links radio programming cable and computer interface together. Provides required voltage shift to enable communications between radio and computer.

Requires computer interface cable, radio programming cable and a 9 volt snap type battery (6082728J01) or wall mount power supply. Order separately.

RLN4008B Radio Interface Box



RLN4008B

Wall Mounted Power Supply

Used to supply power to Radio Interface Box.

0180357A57 Wall Mounted Power Supply (110 volts)

0180358A56 Wall Mounted Power Supply (220 volts)



0180357A57

SERVICE AIDS

Programming Software

This software enables you to add or reprogram frequencies as your requirements change. Compatible with IBM XT, AT, Model 30, 50, 60 and 80. Requires Radio Interface Box and proper cables; order separately.

HVN8177F Programming Software, includes diskettes (3½" and 5¼"), manual, binder, and storage box. Programs GM300, GR300, GR500, M10, M120 and M130 radios.

Program Test Cable

Acts as a link between RIB and radio; required to program radio

3080070N01 Program/Test Cable

Power Supply Cable

HKN4191B Power Supply Cable, High Power (60 watt), replaces HKN9402A

HKN4137A Mobile Power Cable, Low Power (25 watt)



MOTOROLA

GM300 Series

Service Tools, Manuals

SERVICE TOOLS



RSX4043A

Torque Screwdriver

Measures the amount of torque being applied. Recommended for precise radio assembly. Bits must be ordered separately.

RSX4043A Adjustable Torque Screwdriver

Crimping Tool

For custom installations requiring crimping of Mini-UHF RF connector.

6680388A26 Crimping Tool



6680388A26



RLN4137A

Test Adapter

Used to manually key radio. Must be attached to Program/Test Cable

RLN4137A Test Adapter



6680388A13

Battery Cable Adapter

6680388A13 Side Mount Battery Cable Adapter

Antenna Adapter

5880367B22 Mini-UHF Adapter

2880376E84 Mini-UHF Adapter



5880367B22

INSTRUCTION MANUALS

6880902Z32

Service Manual

6880902Z09

Owner's Manual

6880902Z26

Operator's Card, 8-channel radios

6880902Z41

Operator's Card 16-channel radios

Microphones and Accessories

HMN3596A Compact Palm Microphone with 7 Foot Coil Cord

HMN1035C Heavy Duty Palm Microphone with 10.5 Foot Coil Cord

HMN1037B Non-Backlit Touch-Code Microphone with Hang-Up Clip

HMN3141C Handset with Hang-Up Clip

HLN9073B Microphone Hang-Up Clip (all microphones)

HLN9559A 7 Foot Coil Cord for Microphones (HMN1056 and HMN1035)

HLN9560A 10.5 Foot Extended Coil Cord for heavy duty microphones



HMN3596A



HMN1035C



HMN1037B



HLN9073B

General Accessories

HLN8375A DTMF Decoder Board (GM300—16 channel model only)

HLN9457A Hardware Kit for use with the expanded accessory connector (includes 16 connector pins, (9) 8" wires with pins attached and an extra housing)

HLN9573A Shorting Plug Kit for microphone jack—used when application calls for a deskset (covers microphone jack)



HLN9573A

External Speaker

HSN8145A 7.5 Watt External Speaker—for receiver audio

Control Station Accessories

HLN3035A Low Power Control Station Package (1-25 watt models)

HKN4139A Power Cable for low control station 12V (1-45 watt models) for control stations shipped before 4/93

HLN3199A High Power Control Station Package (25-60 watt models)

HKN9455A Power Cable for high power control station (25-60 watt models) for control stations shipped before 4/93

HPN4002B Power Supply and Cable (1-25 watt)

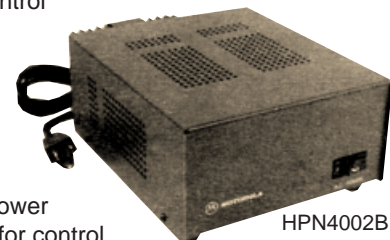
HPN4001B Power Supply and Cable (25-60 watt models)

HMN3000B Desk Microphone, black

HMN1038D Desk Microphone, beige

HLN5292BR Base Station Tray

HKN9088B Mobile Mini-U Antenna Adapter—8 foot cable



HPN4002B

Public Address Accessories

HLN3145AR Public Address Kit (requires the HSN1000 accessory; includes 2 cables for mobile connection to public address box to speaker cables)

HKN9324AR 15 Foot Public Address/Speaker Cable (one cable per speaker)

HSN1000B 6 Watt Amplified External Speaker for public address audio (minimum of 1 required)



HLN3145AR

Alarm Accessories

HLN9328C External Alarm Relay Cable—horn and lights

HLN9329B Emergency Push Button Alarm Cable

HLN9330B Emergency Footswitch Alarm Cable (GM300—16 channel only)



HLN9330B



HSN1000B

ORDER TODAY!
U.S. Customers Call
1-800-422-4210

U.S. Federal Government Customers Call 1-800-826-1913

Installation Accessories

HKN4137A Low Power Cable to Battery

HKN9327A Ignition
Switch Cable

HKN9557A PL259/Mini-U
Antenna Adapter—
8" cable (not
recommended
for 800 MHz)

2880376E84 Mini-U
Connector (all bands)

HLN8027A Mini-UHF to BNC Adapter



HKN9327A



2880376E84

Mounting Accessories

HLN9284A Key Lock Mounting Bracket

HLN5189A Non-Locking Bracket

HLN8413A Slide Mount Tray Bracket for
vehicle floor hump mount

HLN9404A Sleeve Mounting Bracket

HLN9450A 45-60 degree Floor Mount
Wedge (GM300—requires HLN9404 or
HLN9100)

HLN9100B Three Point Mounting
Bracket (for use with HLN9450)

HLN3007B Remote Mount Kit—
18 foot length (includes 20 foot power
cable)

HLN5226B Extra Stability Mount

HLN8097A Removable Slide
Mount Tray Package (a maximum
of two external accessory wires can
be attached to the slide tray)

HLN8098A Radio Slide Mount Tray
(vehicle half of the slide tray
package—HLN8097)

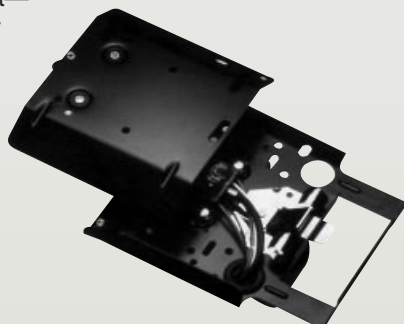
HLN8099A Vehicle Slide Mount Tray (vehicle
half of the slide tray package—HLN8097)

HLN8144A Remote Mount Kit—
8 foot (assumes use of power
cable provided with radio)

HLN9027A In-Dash Bezel
Mounting Kit



HLN9450A



HLN8097A

Antennas

VHF

HAD4014A VHF 3 dB Gain Roof Mount Antenna, 140-
174 MHz

HAD4006A VHF 1/4 Wave Roof Mount Antenna, 136-
144 MHz

HAD4007A VHF 1/4 Wave Roof Mount Antenna, 144-
152 MHz

HAD4008A VHF 1/4 Wave Roof Mount Antenna, 150.8-
162 MHz

HAD4009A VHF 1/4 Wave Roof Mount
Antenna, 162-174 MHz

UHF

HAE4002A UHF 1/4 Wave Roof Mount
Antenna, 403-430 MHz

HAE4003A UHF 1/4 Wave Roof Mount
Antenna, 450-470 MHz

HAE4004A UHF 1/4 Wave Roof Mount
Antenna, 470-512 MHz

HAE4010A UHF 3.5 dB Gain Roof Mount
Antenna, 406-420 MHz

HAE4011A UHF 3.5 dB Gain Roof Mount
Antenna, 450-470 MHz

HAE4012A UHF 3.5 dB Gain Roof Mount
Antenna, 470-495 MHz

HAE4013A UHF 3.5 dB Gain Roof Mount
Antenna, 494-512 MHz

RAE4004ARB UHF 5 dB Gain Roof Mount
Antenna, 450-470 MHz

HAE4013A



HAD4009A

